



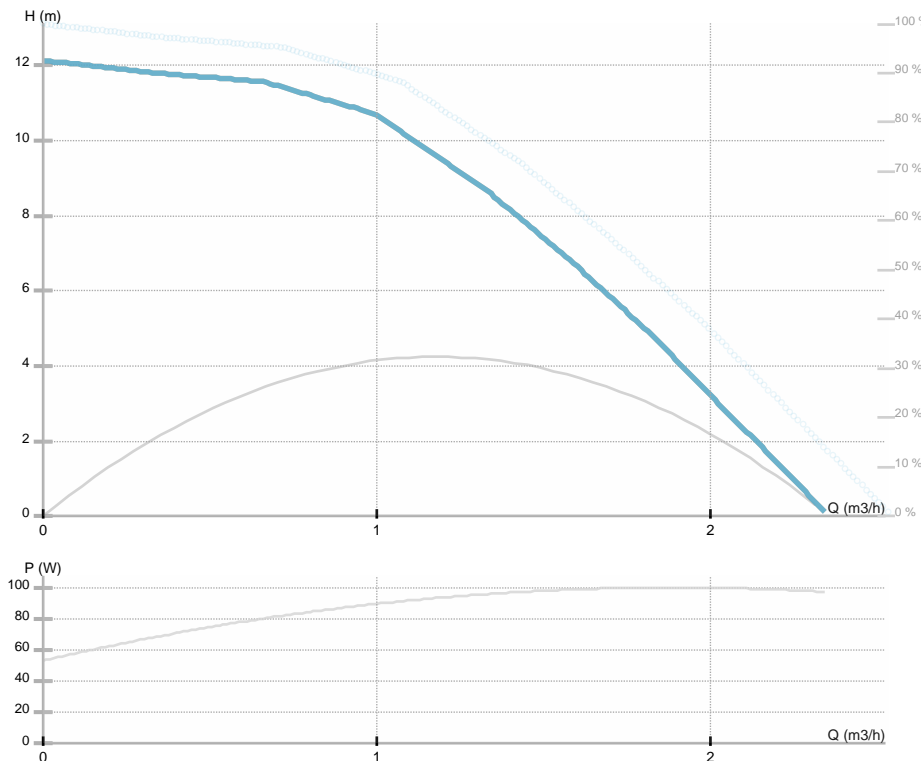
NMT PLUS COMFORT INOX 15/120-130

979528160

NMT PLUS COMFORT / The high-efficiency HOME PRESSURE BOOSTER

GENERAL

Codigo producto	979528160		
Part name	NMT PLUS COMFORT INOX 15/120-130		
Seal type			
Peso	2,00 [kg]		
H max	12.0 [m]	H min	0.0 [m]
Q max	2.3 [m3/h]	Q min	0.0 [m3/h]
	[%]		
Nivel de ruido funcionamiento	≤43 dB(A)		



ELECTRICAL DATA

Tension	1~230 V
Frecuencia	50 Hz
Potencia nominal	100 [w]
Rpm	5880 [1/min]
Clase aislamiento	F
Consumo corriente	0.8 [A]
Declared protection	IP44
Thermal protection	
Frame size	
Motor i e class	

INSTALLATION

Fluido permitido	Water VDI 2035
Temperatura fluido	-10.0 ÷ 65.0 [°C]
Temperatura max. ambiente	40 deg C
medida	130 [mm]
DN1	15 [mm]
Coneccion	G 1
Coneccion	G 1
Presion maxima	1.0 MPa

MATERIAL

Material cojinete	Cerámica
Material impulsor	Noryl 1630V
Material cuerpo bomba	Stainless steel
Material eje	Cerámica

NMT PLUS COMFORT INOX 15/120-130

979528160

NMT PLUS COMFORT / The high-efficiency HOME PRESSURE BOOSTER



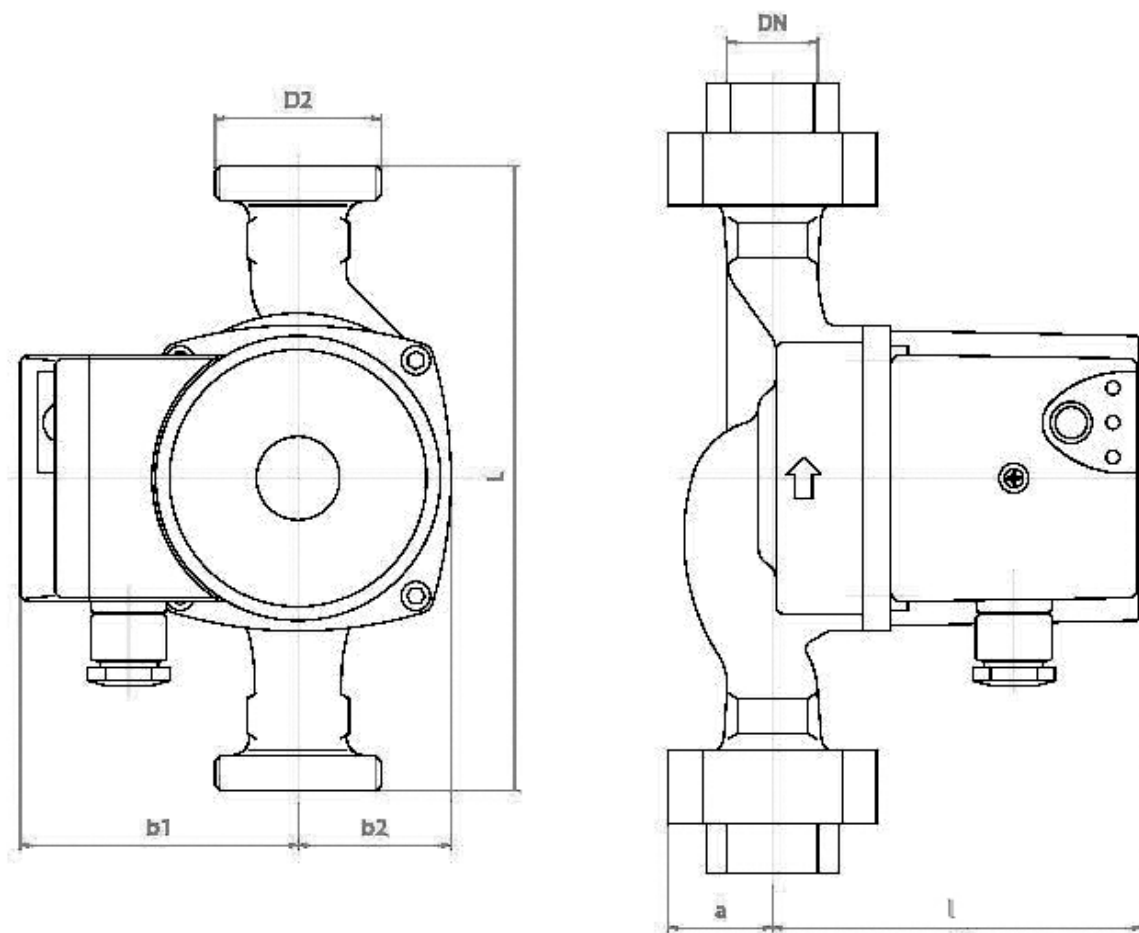


NMT PLUS COMFORT INOX 15/120-130

979528160

NMT PLUS COMFORT / The high-efficiency HOME PRESSURE BOOSTER

Esquema dimensional



L=130 DN=15 b1=79 b2=47,5 l=108 a=27 D2=1



NMT PLUS COMFORT INOX 15/120-130

979528160

NMT PLUS COMFORT / The high-efficiency HOME PRESSURE BOOSTER

Esquema electrico

