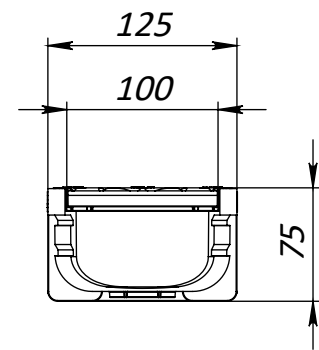
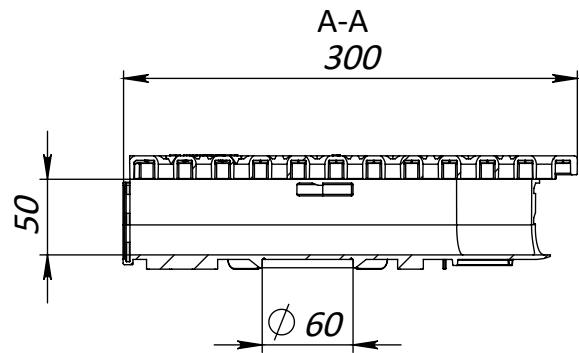


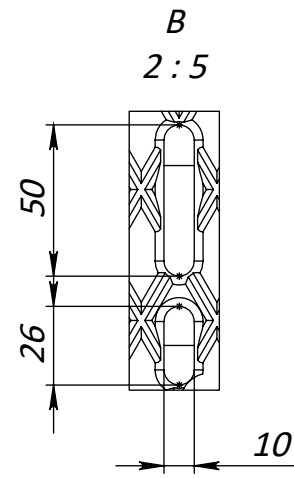
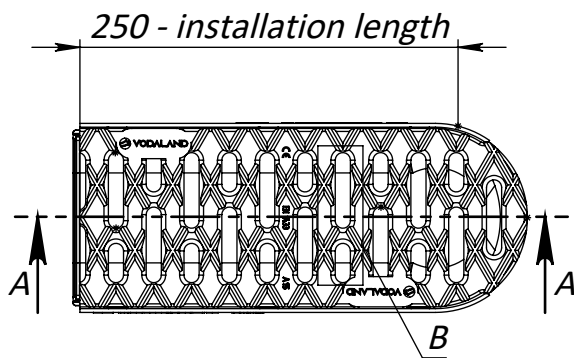
6 5 4 3 2 1

D

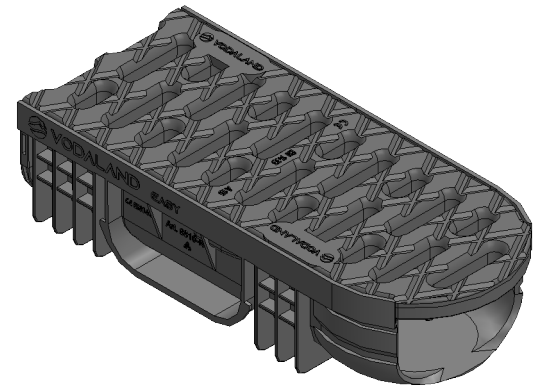


D

C



C



B

- 1. Deviation of the actual weight of the nominal can be up to 8%
- 2. Area of water intake slots 78,86 sq cm

B

UNLESS OTHERWISE SPECIFIED: DIMENSIONS ARE IN MILLIMETERS SURFACE FINISH: TOLERANCES: ISO 2768-c LINEAR: ANGULAR:		FINISH:		DO NOT SCALE DRAWING		REVISION		A-01					
						TITLE: Load class: A15		ARTICLE: A4					
DRAWN		PSM								DATE		24.05.24	
CHK'D		PMK											
APPV'D													
MFG													
Q.A				MATERIAL:									
				WEIGHT: -		SCALE: 1:5		SHEET 1 OF 1					

Name (general)	The set is presented in the following colours	Article	Weight, kg
Plastic rotary input channel Easy 2 DN100 H75 with plastic rotary inlet grate A15 black (08818-R1)	black	08818-R1	0,406
	terracotta	08818-R1-TT	
	white	08818-R1-WT	
	sand	08818-R1-SD	
	green	08818-R1-GN	
	dark-gray	08818-R1-DGY	
	gray	08818-R1-GY	

6 5 4 3 2 1

A

A